

# LiftMaster®

## GOOSENECK BRACKET MODEL: CAPXSGNB

### INTRODUCTION

The CAPXSGNB is a specially designed bracket to mount the CAPXS Smart Video Intercom S onto a pedestal/gooseneck. This bracket replaces the standard bracket that ships with the CAPXS.

**NOTE:** You will reuse the same screws to secure the CAPXS to the CAPXSGNB.

### CAPXSGNB INSTALLATION

#### CARTON INVENTORY

CAPXSGNB mounting bracket

#### ADDITIONAL ITEMS YOU MAY NEED

Silicone Sealant, Phillips Screwdriver, T20 Screw Driver/Bit, Mounting Hardware per CAPXS Installation manual

#### GOOSENECK BRACKET INSTALLATION

1. Mount the Gooseneck Bracket to the Pedestal Plate with appropriate hardware (not included).
2. Remove the standard (included bracket) from the CAPXS (keep the screws - you will reuse them).
3. To mount the CAPXS, ensure wiring is pulled thru the pedestal and wired into the CAPXS (see CAPXS manual for wiring diagram).
4. Place and HOLD the CAPXS into the Gooseneck Bracket. (There is NO retention to keep this in place so it must be held for the next step!)
5. Insert the 2 screws that are provided with the CAPXS and secure the CAPXS to the Gooseneck Bracket.
6. Pedestal plates are often not a completely flat surface. To ensure a good seal to protect the CAPXS wiring, add silicone sealant around the bracket where it is mounted to the pedestal plate.
7. If you are mounting the CAPXS in an area that is exposed to rain or snow, it is recommended to install some type of solid hood that will protect the CAPXS. The CAPXSHOOD accessory can be used in



**WARNING:** This product can expose you to chemicals including lead, which are known to the State of California to cause cancer or birth defects or other reproductive harm. For more information go to [www.P65Warnings.ca.gov](http://www.P65Warnings.ca.gov).

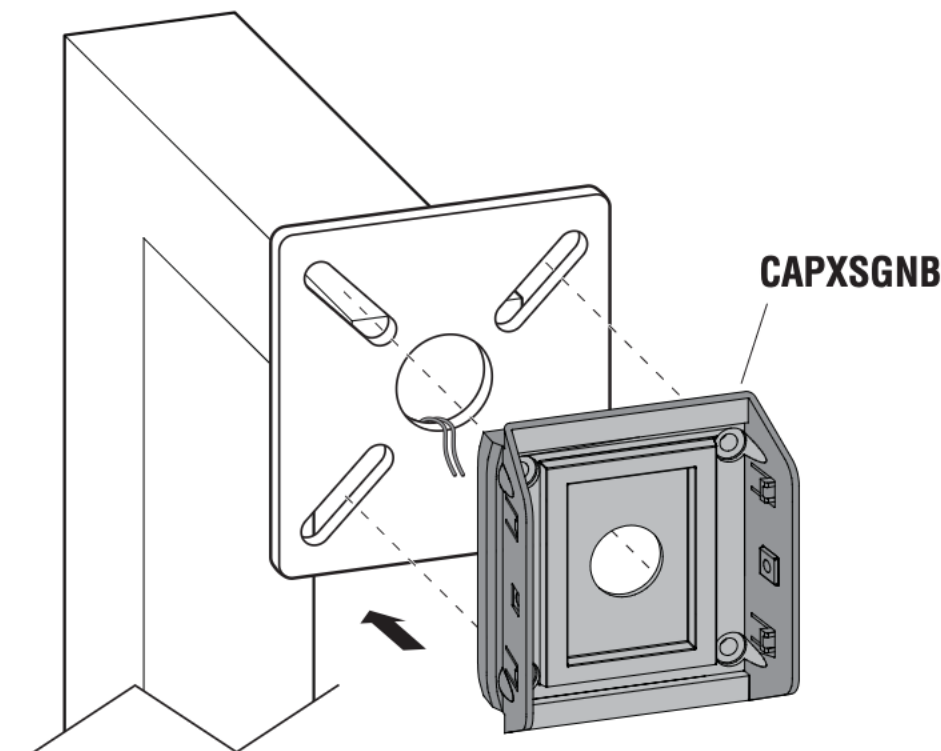


Figure 1

