

LiftMaster®

INTRODUCTION

The CAPXSTK and CAPXSTKPL are available to conceal the replacement of an existing telephone entry system or buzzer with a CAPXS. The CAPXSTK is a standard trim plate, and the CAPXSTKPL provides a postal lock provision for buildings that require the integration of a postal lock.

CAPXSTKPL INSTALLATION

CARTON INVENTORY

Trim Panel, Postal Lock Cover, (4) #10 Phillips Screw and Hex Nut, (4) #8 T20 Torx Screw

ADDITIONAL ITEMS YOU MAY NEED

Silicone Sealant, Phillips Screwdriver, T20 Screw Driver/Bit, Mounting Hardware per CAPXS Installation manual, Postal Lock Device (provided by USPS)

POSTAL LOCK INSTALLATION

1. Fasten Postal Lock to Trim Panel using #10 Phillips screws and hex nuts provided. (See Figure 1)
2. Verify switch is depressed while in the locked position. Adjust as needed. (See inset of Figure 1)
3. Position Cover over Postal Lock. Make sure that sealing gasket is properly seated. (See Figure 2)
4. Secure the Cover over the Postal Lock from the rear using #8 T20 Screws.
5. Make sure Postal Lock Switch wires are routed through the wire egress opening. (See inset of Figure 1)
6. Fasten to the gang box or wall through the Mounting Bracket and Trim Panel using the hardware specified in the CAPXS Installation Manual. (See Figure 3)
7. Silicone Sealant can be used on the rear edge of the trim panel or along

TRIM PLATES AND HOOD MODELS: CAPXSTK, CAPXSTKPL, AND CAPXSHOOD



WARNING: This product can expose you to chemicals including lead, which are known to the State of California to cause cancer or birth defects or other reproductive harm. For more information go to www.P65Warnings.ca.gov.

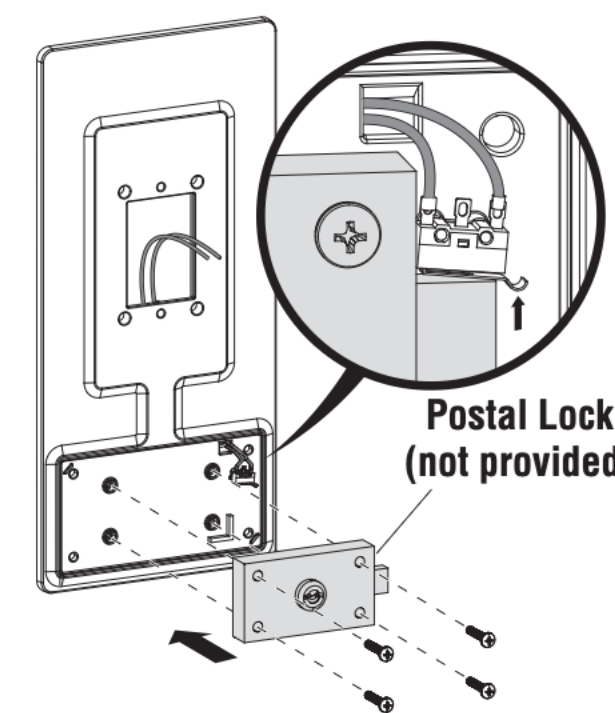


Figure 1

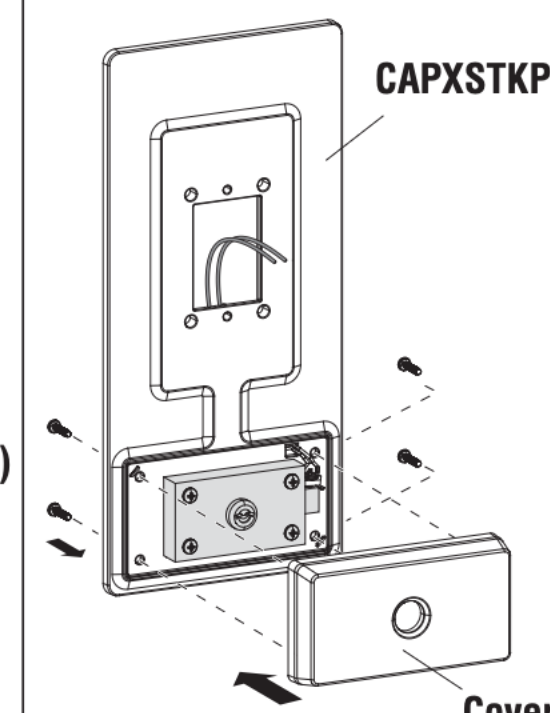


Figure 2

