

GCL-GH

HEAVY-DUTY GEAR HEAD HOIST OPERATOR



The GCL-GH is designed for high or full-lift sectional and rolling doors that have up to a 60-cycle/hour and greater than a 100-cycle/day requirement. Advanced features and robust mechanical design combine to provide a heavy-duty operator that sets a new standard for productivity.

UL 325 Listed

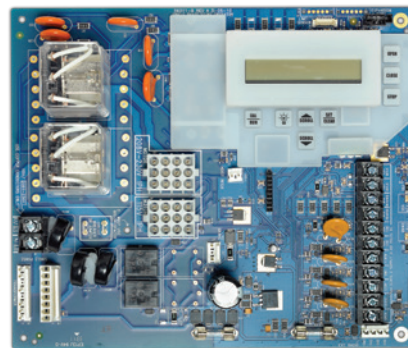
- Allows for monitored entrapment connections for protection and momentary operation when used with select photoeyes and/or edge-sensing devices.
- See back for approved list of monitored devices.

GCL-GH Advantages

- MultiVolt® - Order phase specific operator for the job and have the ability to select the right voltage on the job site.
 - Single Phase: 115/208/230 VAC
 - Three Phase: 208/230/460 VAC
 - Three Phase: 575 VAC only models also available
- Modular design with optional expansion boards for advanced timer to close, edge sensing, and auxiliary output functionality.
- LCD display with intuitive setup menu. Provides real-time status and trouble-shooting assistance.
- Internal receiver with the ability to individually add/delete up to 50 Intellicode® transmitters directly from the LCD display.
- EZ Limit® provides for push to set limits that remain synchronized with door even during long term loss of power.
- Open/close/stop and setup keys included on control board. Keeps all controls near the LCD display convenient for set up.

Standard Features

- EZ Limit® electro-mechanical limits.
- MultiVolt® voltage simplification.
- Max run timer automatically adjusts to up and down run time.
- Heavy-duty worm gearbox for primary reduction.
- Delay on reverse.
- 16-character LCD display.
- UL 325 Listed.
- Advanced radio receiver displays and stores activation by transmitter ID number on the LCD screen.
- 3-button control station.
- 2-year/20,000-cycle warranty.
- Programmable mid-stop.
- Emergency hoist for manual operation. Easily changed in field from left to right hand.
- DC disc brake with progressive braking.
- On-board timed close.



For more information on patents related to this product, visit <https://www.geniecompany.com/patents>.

©2025 The Genie Company | GCL-GH



OFFICIAL GARAGE DOOR
OPENER
of the
Pro Football Hall of Fame



GCL-GH | HEAVY-DUTY HEAR HEAD HOIST OPERATOR

MAX DOOR SIZE (SQ*FT) - SECTIONAL

Door Series		Commercial Steel Insulated & Non-Insulated								Thermospa [®]				ThermoMark [™]			Aluminum	
		216	216 Ins.	220	220 Ins.	2415	2415 Ins.	2411	2411 Ins.	125	150	200	200-20	530	5150/5155	5200/5255	451/ K-AL	452/ 464/ K-AL
		Flush				Ribbed				Insulated				Insulated				
HP/ Voltage	Max Door Wt. (lbs)	16GA.	16GA. Ins.	20GA. Steel	20GA. Ins.	24GA.	24GA. Ins.	Nominal 24GA.	Nominal 24GA. Ins.	PU-FIP	PU-FIP 1.38"	PU-FIP 2"	PU-FIP 2" 20GA. Ext.	PU-FIP Ins. 3"	PU-FIP Raised Panel 1.38"	PU-FIP Raised Panel 2"	1/8" Glass 1.38"	1/4" or 1/2" Glass 1.38"
1/2 HP	1310	300	256	410	280	520	400	320	320	256	430	430	350	400	450	430	400	320
3/4 HP	1450	340	256	450	320	540	410	320	320	256	450	450	400	420	480	460	400	350
1 HP	1650	390	290	510	380	580	410	320	320	256	480	480	420	470	510	490	400	400
3 HP	3696	700	500	700	560	770	600	320	320	256	480	900	680	840	530	680	400	400

MAX DOOR SIZE (SQ*FT) - ROLLING

Door Series		Steel Non-Insulated						Steel Insulated			Counter Doors		Grilles		FireStar [®] 2" Slat ⁴		FireStar [®] 3" Slat Insulated ⁴				Shutters		Sheet	
HP/ Voltage	Max Door Wt. (lbs.)	16 GA.	18 GA.	20 GA.	22 GA.	24 GA.	26 GA.	18 GA.	20 GA.	22 GA.	Aluminum	STL/ SST	Aluminum	STL/ SST	20 GA.	22 GA.	16 GA.	18 GA.	20 GA.	22 GA.	20 GA.	22 GA.	Aluminum	26 GA.
1/2 HP	1310	250	277	277	333	360	360	194	194	222	126	126	360	280	210	270	128	144	166	220	120	128	N/A	320
3/4 HP	1450	283	350	350	442	494	N/A	232	232	283	126	126	490	350	N/A	N/A	N/A	N/A	N/A	N/A	N/A	N/A	N/A	350
1 HP	1650	318	420	420	548	636	N/A	244	244	303	N/A	N/A	580	380	320	355	176	188	246	272	160	180	N/A	400
3 HP	3696	962	1035	1152	1152	1152	N/A	728	728	986	N/A	N/A	982	982	576	576	342	390	576	576	300	324	N/A	400

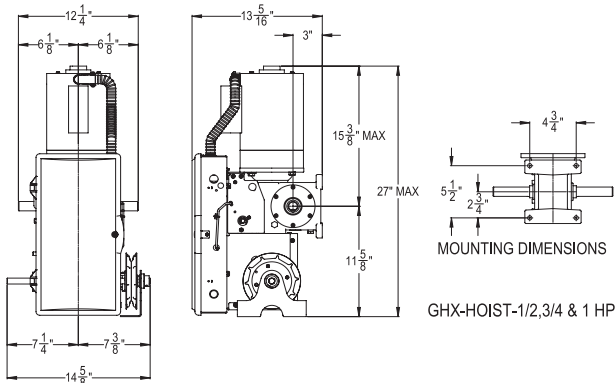
- Notes: 1. Maximum door weight, and not the square footage, is the critical factor in selecting the proper operator.
 2. Maximum door height: 24', for over 24' required contact factory.
 3. For "Commercial Steel Insulated" category, various "backer" options are available. The chart above is based in all cases on the thickest backer available.
 4. "PU-FIP" stands for "polyurethane, foamed-in-place". If no notation is present, insulation is "polystyrene laid-in-place".
 5. GCL-GH is UL Listed

Construction

- Motor:** AC continuous-duty motor. Motor replaceable without changing limits. Thermally protected.
- Drive:** Primary — Heavy-duty worm gear running in oil bath. All-weather synthetic lube for low/high temperature operation. Secondary — Heavy-duty chain and sprocket reduction.
- Brake:** 24 VDC disc brake standard.
- Precision Radial Ball / Roller Bearings:** Used exclusively throughout the operator powertrain.
- Emergency Hoist Manual Operation:** Electrically interlocked manual hoist with floor level disconnect.
- Pre-wired to accept:**
 - Monitored entrapment device such as photoeyes.
 - Single or 3-button control stations.
 - External interlock switches.

AMPERAGE RATING - 60Hz

HP	115V 1PH	208V 1PH	230V 1PH	208V 3PH	230V 3PH	460V 3PH	575V 3PH
1/2	10	5	5	3	3	3	2
3/4	11	6	6	3	4	3	2
1	14	7	7	4	4	3	2
3	N/A	N/A	N/A	11	10	6	5



Accessories and Options

- Timer Close Module**
This optional module plugs directly into the control board expansion port providing the operator with an automatic door closing feature with a user selectable time delay, adjustable from one second to five minutes (in increments of one second) using the LCD display. The module also includes pre-close warning output contacts, timer hold input, auxiliary open input, normally closed safety input, and monitored edges input.
- Auxiliary Output Module**
Provides relay contacts at the open, close, and mid-stop limits. Contacts for 5-minute lamp, and "ADA" contacts set via LCD display to warn during opening, closing or both.
- Edge Sensing Module**
Input allows connection of a T3 monitored safety edge. When advanced timer close features are required, use the Timer Close Module.
- Intellicode[®] Transmitters**
Available in single up to four button, or open/close/stop models.
- Environmental Modifications**
Totally enclosed non-ventilated, or fan-cooled motors available - Must be ordered from the factory. NEMA 4 or NEMA 4X environmental modifications - Must be ordered from the factory.
- UL 325 Approved Reversing Devices**
The installation of a monitored external entrapment device is required for momentary contact close operation on all commercial door operators. The following devices, when purchased through Genie, are UL Approved for use to meet this requirement:
 - Safe-T-Beam[®] Photoeye Kit with adjustable bracket (P/N 38176R.S).¹
 - Impact-protected Commercial Photoeye Kit (P/N OPAKPE2.S).
 - MillerEdge ME/MT/CPT (DC or T3) 2-wire edge sensor. Must be used with TCM (OPABTCGX.S), ESM (OPABESX.S), or Interface Module (OPAKMEIGX.S).
 - NEMA 4X Photocells (P/N: OPAKPEN4GX.S).
 - Retro-reflective NEMA 4X Photoeye Kit (P/N: OPGAKRPEN4X.S).
 - Monitored Light Curtains
 - 3 ft. length (P/N: OPAKMLC3.S).
 - 6ft. length (P/N: OPAKMLC6.S).
 - Light curtain mounting brackets (6 total) (P/N: 112809.0001.S).
- ¹ — Default device when operator is ordered.
- Commercial Wi-Fi Module - Aladdin Connect[®]**
This optional module plugs directly into the control board expansion port providing the operator with the ability to remotely monitor and control your commercial sectional garage door, with your smart device, from almost anywhere at any time while tracking the operation of your door (P/N: OPAKCDCM.S).



The Genie Company, One Door Drive, Mt. Hope, Ohio 44660

www.geniecompany.com/commercial | 1.800.843.4084

Item G001.0076 Rev. 12/24

© 2025 The Genie Company. Genie and the Genie logo are registered trademarks of GMI Holdings, Inc., d/b/a The Genie Company. Consistent with our policy of continuing product improvement, we reserve the right to change product specifications without notice or obligation.