

# APT

## APARTMENT TROLLEY

Industrial-Duty Commercial Door Operator

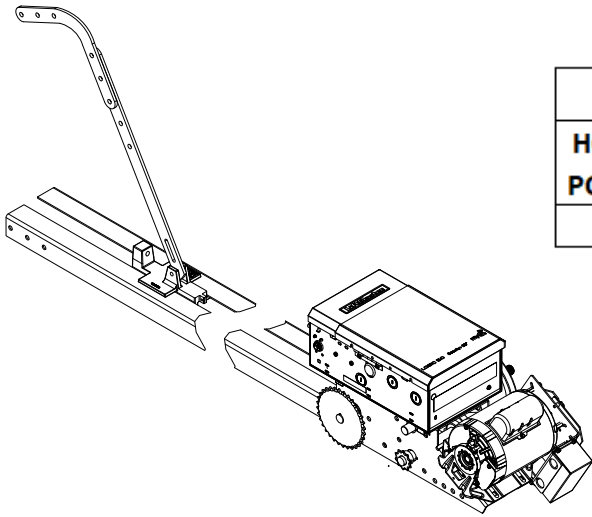
Customer \_\_\_\_\_

Project \_\_\_\_\_

Architect/Engineer \_\_\_\_\_

Contractor \_\_\_\_\_

Drawing Number \_\_\_\_\_ Date \_\_\_\_\_ Sheet \_\_\_\_\_ of \_\_\_\_\_



<b>* OPERATOR AMPERAGE RATING (max. A)</b>					
<b>HORSE POWER</b>	<b>VOLTAGE/PHASE ( all 60Hz)</b>				
	<b>115/1Ø</b>	<b>230/1Ø</b>	<b>208-230/3Ø</b>	<b>460/3Ø</b>	<b>575/3Ø</b>
<b>1/2</b>	11.2	5.6	3.1	1.75	1.4

\* Operator Amperage Rating (max. A) includes the total current draw of the motor, control box and accessories that are powered by the operator. These Amperage Ratings agree with the UL Report.

### Specifications

- 1) Supply quantity \_\_\_\_\_ ( \_\_\_\_\_ ) LiftMaster Operator(s) Model Number \_\_\_\_\_  
\_\_\_\_\_ HP, \_\_\_\_\_ Volts, \_\_\_\_\_ Phase, \_\_\_\_\_ Hertz \_\_\_\_\_
- 2) For \_\_\_\_\_ wide x \_\_\_\_\_ high sectional door(s)
- 3) Supply \_\_\_\_\_ ( \_\_\_\_\_ ) OPEN/CLOSE/STOP control station(s) in NEMA \_\_\_\_\_ enclosure per operator
- 4) Supply auxiliary and optional equipment as specified below (one per operator unless otherwise noted)

### Notes:

- 1) Refer to Model APT Product Guide for general information at LiftMaster.com
- 2) Refer to operator installation manual for wiring diagram

# APT

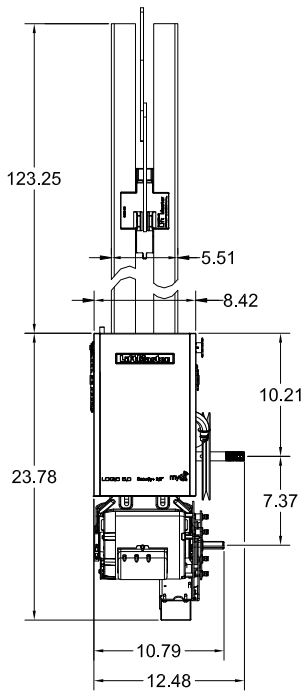
## APARTMENT TROLLEY

Industrial-Duty Commercial Door Operator

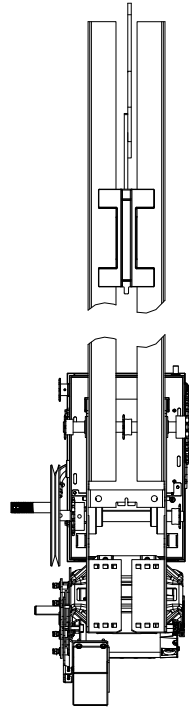
NOTE: AVAILABLE TRACKS ACCOMMODATE DOORS 8-24 FEET IN HEIGHT.

**MODEL APT**

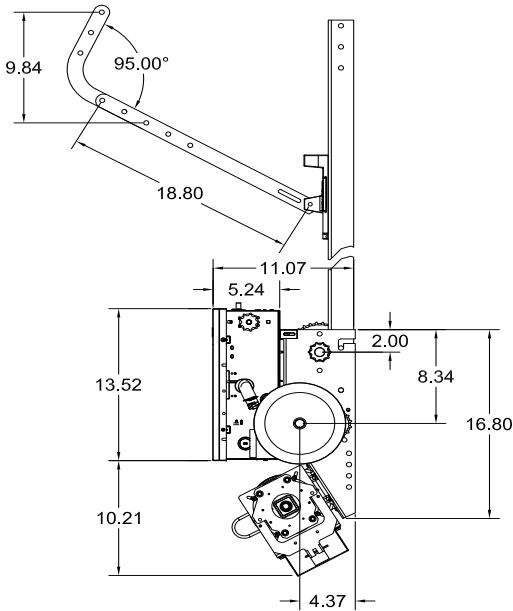
Hanging Weight: 80-110 lbs.



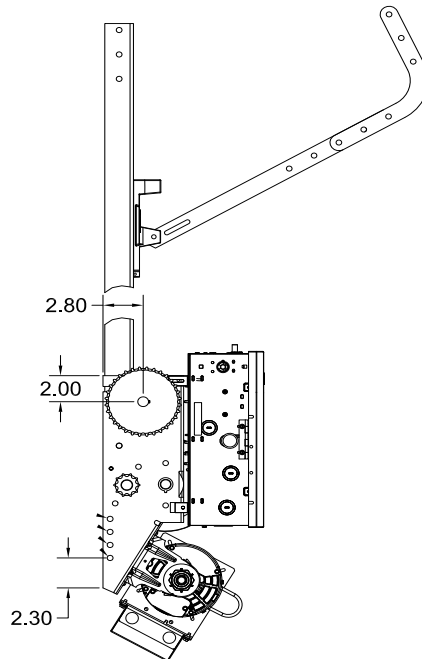
FRONT



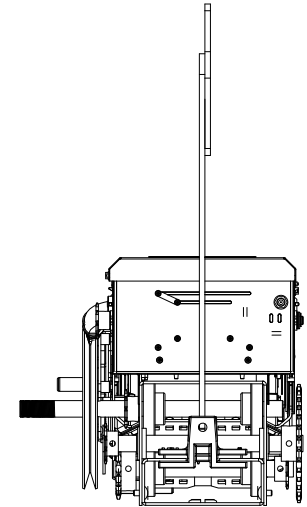
BACK



RIGHT



LEFT



TOP

ISO 9001:2015  
Certified



FCC/IC  
Certified