

SENSORVAULT



FEATURES

Vandal Resistant: Structural Construction Protects Optex Reader for Long Life and Reliable Operation

Slotted Holes For Easy Adjustment

4-bolt Installation on Concrete Pad.
Accommodates Wire Run from Below or Rear.

Complete Installation Instructions Including Optex Programming Steps. Extensive Testing to Confirm Flawless Operation.

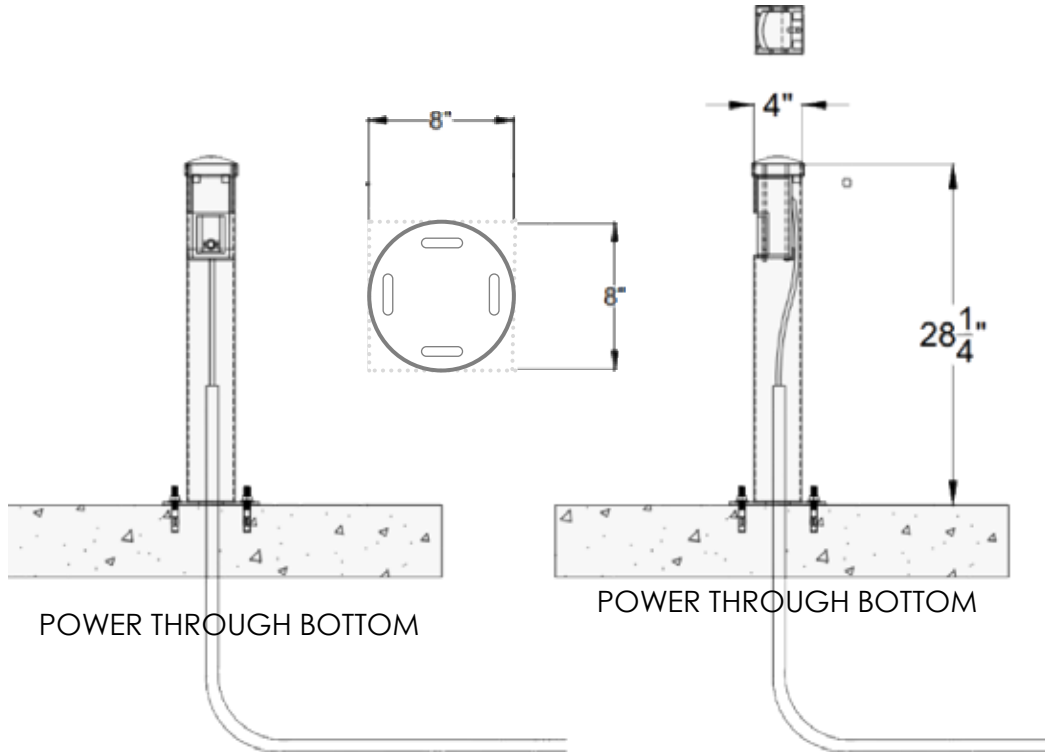
TOP LEVEL PROTECTION FOR YOUR OPTEX SENSORS
OVS-01GT and OVS-02GT

TORXUN

FOLDING GATE SYSTEMS | AUTOMATED PEDESTRIAN SYSTEMS | SENSOR PROTECTION DEVICES



SENSORVAULT FOR OPTEX



Technical Data

Facility	Data
Weight	15 lbs
Steel	.120" / 11-gauge post, 1/8" flange plate
Dimensions	4"x4-1/2"x24-1/4" post, 9" Round Base
Finish	Powder Coat

Ordering Details

Product	Part #
Powder Coated Black	OPSV.0001

One Year Warranty

Optex™ Sensors are not included with SensorVault™ and is shown for position only.

Sensorvault Is Available For Most Leading Vehicle Sensors

SENSORVAULT™ for BEAT™ | LZR
 SENSORVAULT™ for OPTEX™ | OVS
 SENSORVAULT™ for OMRON™ | E3K
 SENSORVAULT™ for EMX™ | IRB

About TORXUN

TORXUN Vehicle Access Technologies engineers architectural-grade products for vehicle access-controlled systems. Everything is produced in Tracy, CA

TORXUN

50 Sloan Court, Tracy CA 95304
 888-491-4283
TORXUN.com

Made in USA