

Data Sheet

One operator to rule them all.

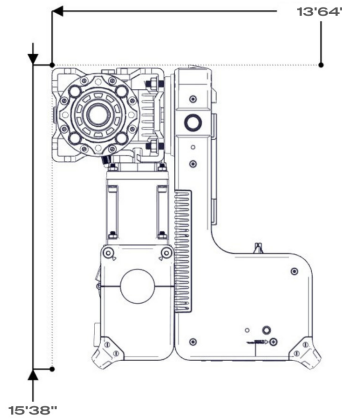
Introducing Dave, the one you've been waiting for. Yes, just one operator to conquer virtually all your needs. No more decisions, confusion or excess stock to hold.

Dave is your new best mate. Lifts heavy, mounts flexibly and features a wireless-first console and accessories. Dave supports both single and three-phase power supplies for total flexibility.

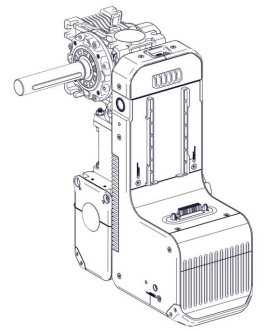
All in one small, lightweight package for fast, easy, single-person install.

No more repeat site visits, service configurations or hassles of wiring in. Delivering bang for buck straight out of the box. Attach the handle (sold separately), swap for a power cartridge, pair wireless accessories and job done. Genius.

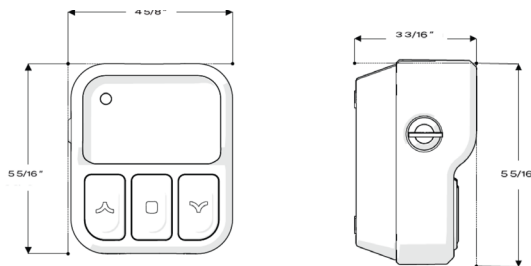
DAVE drive unit



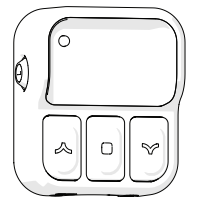
Weight: 24.25lb



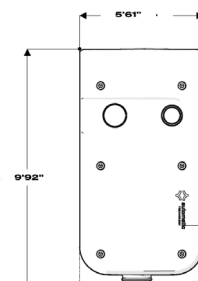
Wireless wall console



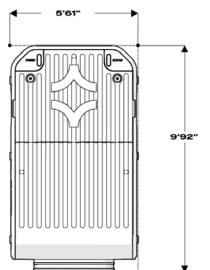
Weight: 0.93lb



OmniVolt™ power cartridge



Weight: 3.5lb
with power cord



DAVE Drive Unit

Motor type	PMSM
Reducer ratio	50 to 1
Rated output torque	32Nm (23.5ft.lb)
Maximum door weight	Up to 2200lbs balanced*
Maximum rated load (N)	450N
Operating temperature	-4°F to 149°F
Environment	Indoor use only
Output drive shaft diameter	1"
Output drive shaft length	3.75"
Standard operator sprocket	12 teeth #50
Optional sprocket	10 teeth #60
Drive unit weight (with shaft and sprocket)	25lbs
Reducer output speed (at 3000RPM motor speed)	60RPM
Maximum duty cycle**	60%
On board receiver memory capacity	64
IP Rating	IP42*

Wireless Wall Console

Control button range	100ft†
Configuration / set up range via Bluetooth	50ft†
Menu display LCD	4 lines x 20 characters
LCD back-lighting	Yes
Power options	2 x D size (1.5V) (5 year battery life)
	5VDC power adaptor
	Direct wiring to the operator

OmniVolt™ Power Cartridge

Part #	101641	101642
Mains power supply	Low voltage PFC	High voltage
Input power	1000W	1000W
Input voltage fuse	120-420Vac 50/60Hz	400-480Vac 50/60Hz
Power cartridge weight (with power cord)	3.5lb	3.5lb
Max current consumption	10A @ 120V 5A @ 240V	3A @ 415V
Operating temperatures	-4°F to 149°F	-4°F to 149°F

* Door and operator sprocket size, door spring tension and selected speed may alter the maximum door weight capacity.

**When installed in vertical orientation.

† Range varies depending on installation environment.

‡ Battery life may vary based on power mode selected.