



# Quick Install Guide

AA1MSE ATT, AA1MSE VSN,  
AA1MSE WP ATT, AA1MSE WP VZN,  
AA1MSE WP INT



## Items Included in Kit

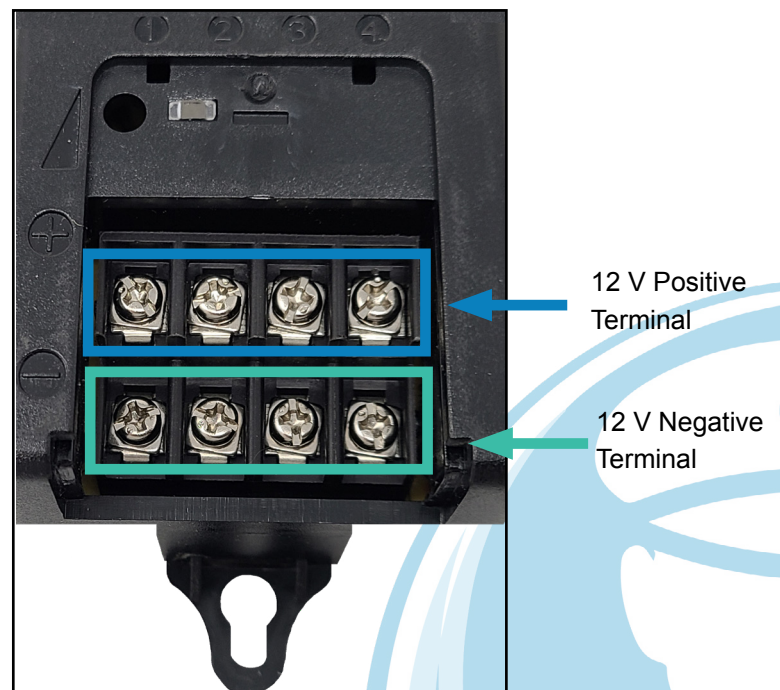
Your shipment includes the following:

1. Watchman Unit
2. 12 Volt DC Power Supply
3. Magnetic Read Switch
4. Quick Install Guide
5. Activation & Test Process
6. Customer Information Packet
7. Box that houses unit and its mounting instructions
8. Box for router

### 461 Watchman Unit



### Power Supply Wiring



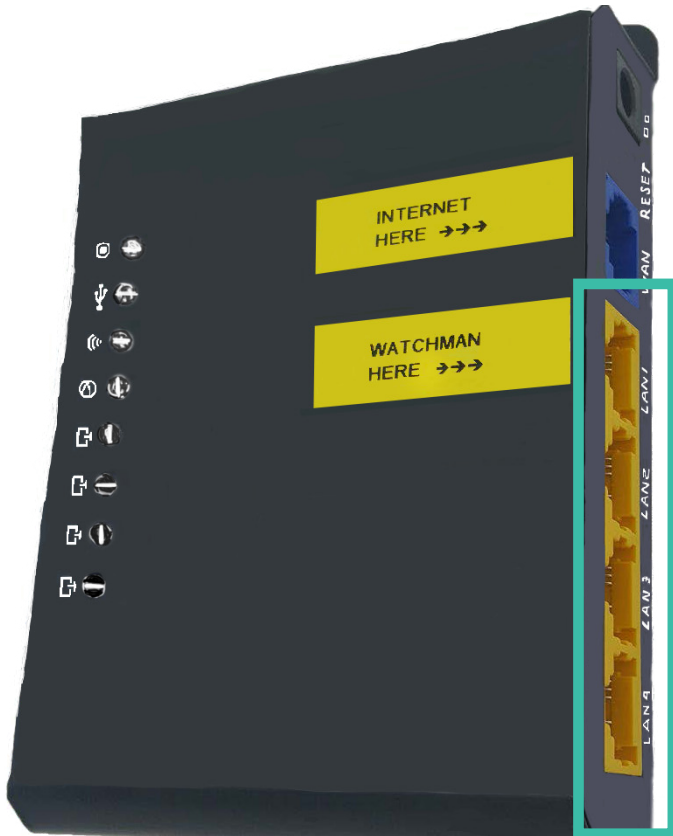
**Recommended wiring:** 18/6 shielded for main device, and 18/4 shielded for optional Wiegand devices.

We recommend the following gauges (ga) for each distance:

- 18 ga stranded: up to 25 ft
- 16 ga stranded: up to 50 ft
- 12 ga stranded: up to 60 ft



## Internet Router Connection



← Plug customer Internet into the blue port.

← Plug Watchman into any yellow port. The port is DHCP enabled.

← Plug optional external cameras into any yellow port.

## DHCP

We use DHCP (Dynamic Host Configuration Protocol) to assign an IP address to each Watchman device. The IP address indicates where the device is on your network.

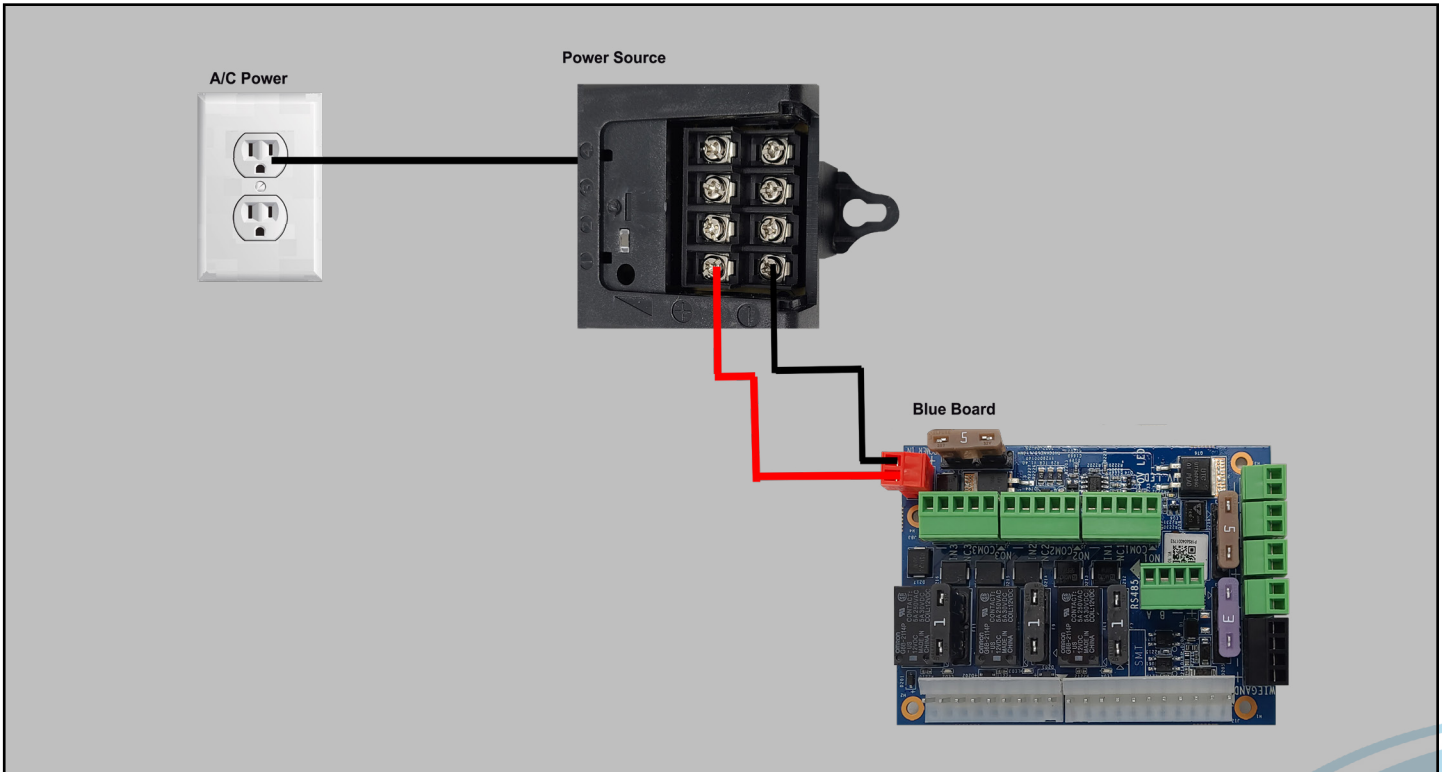
With DHCP, you don't have to configure your network devices manually. It allows you to plug and play with your device.

Record your device's IP address here: \_\_\_\_\_

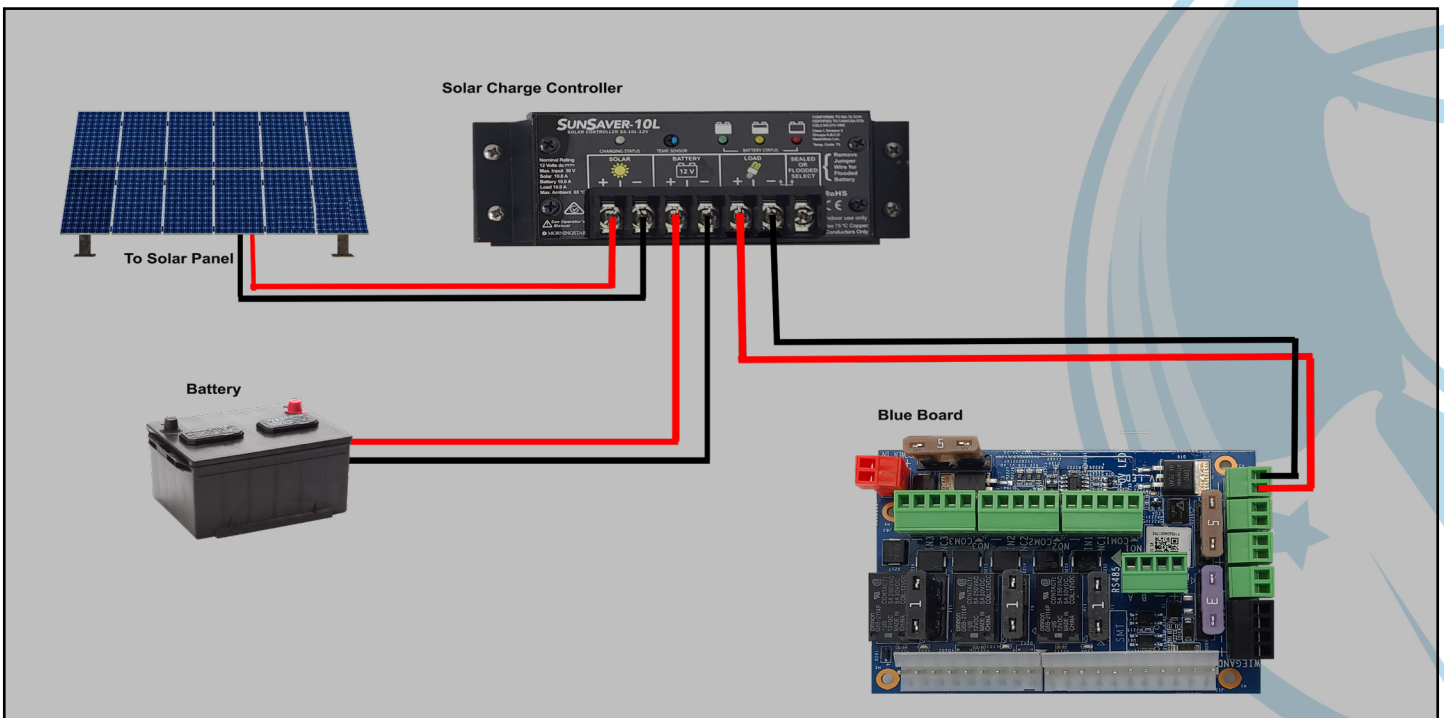




## Wiring with Transformer

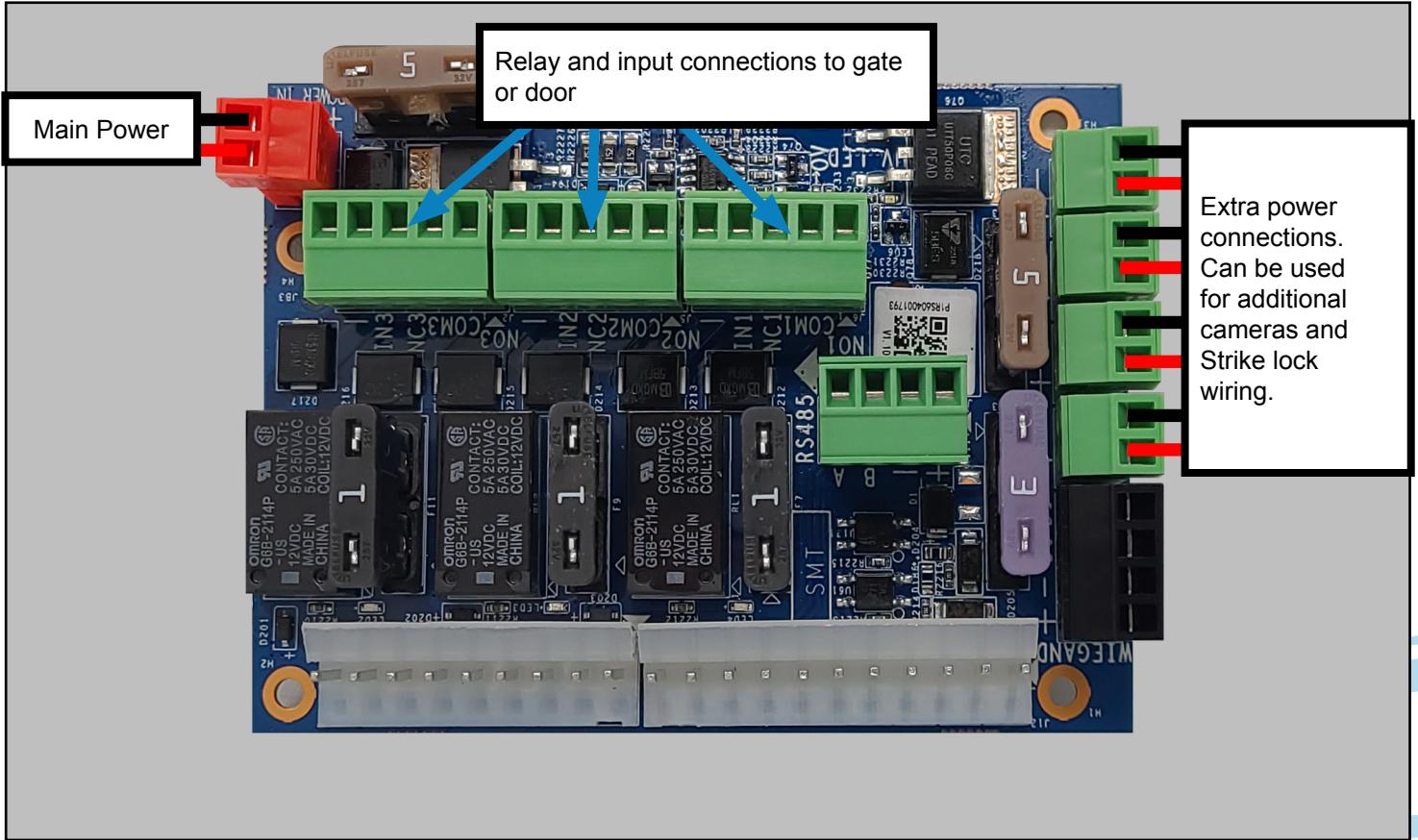


## Wiring for Solar Power





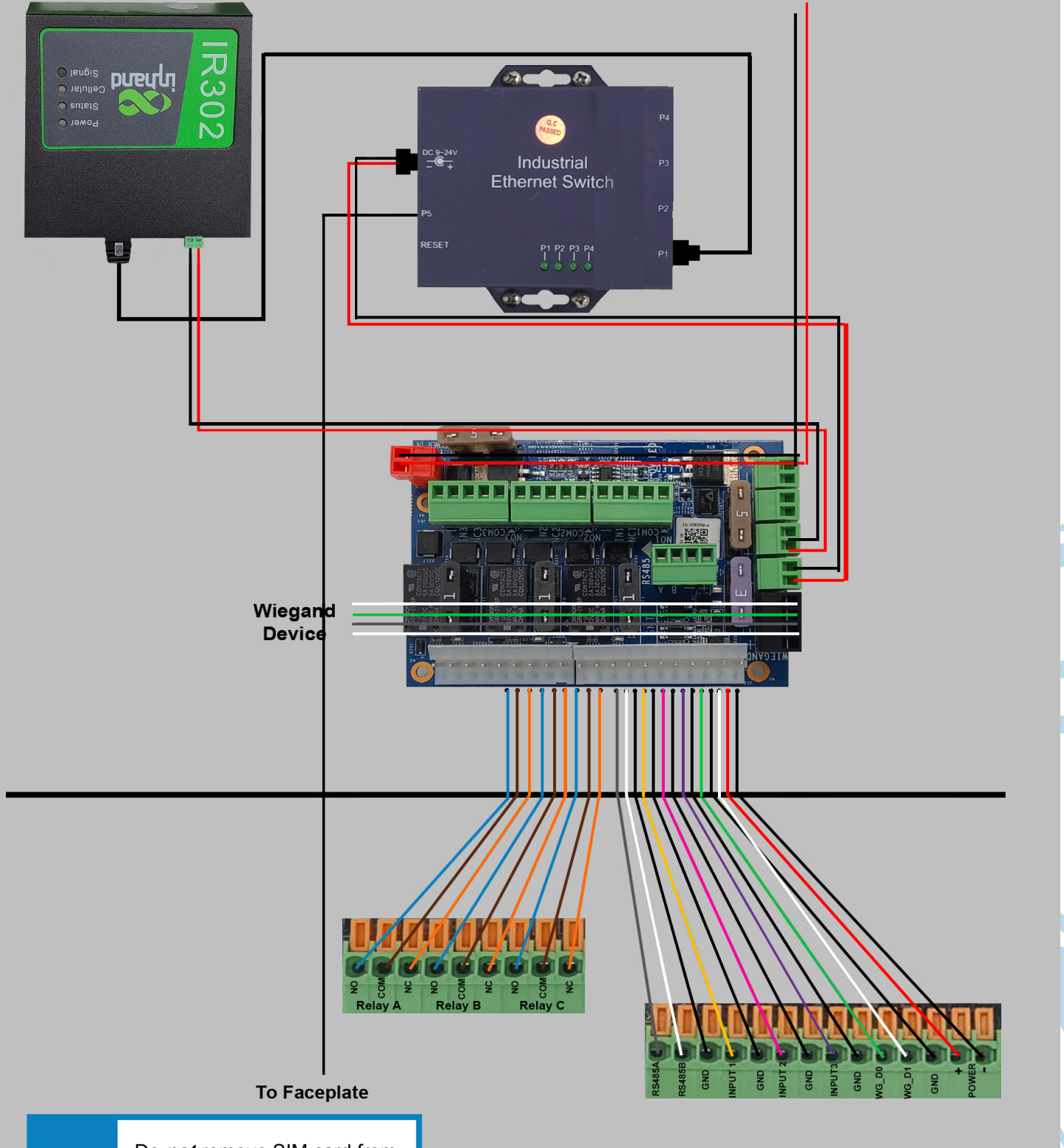
## Board Parts





## Interface Board Wiring Diagram

12 V Power Source

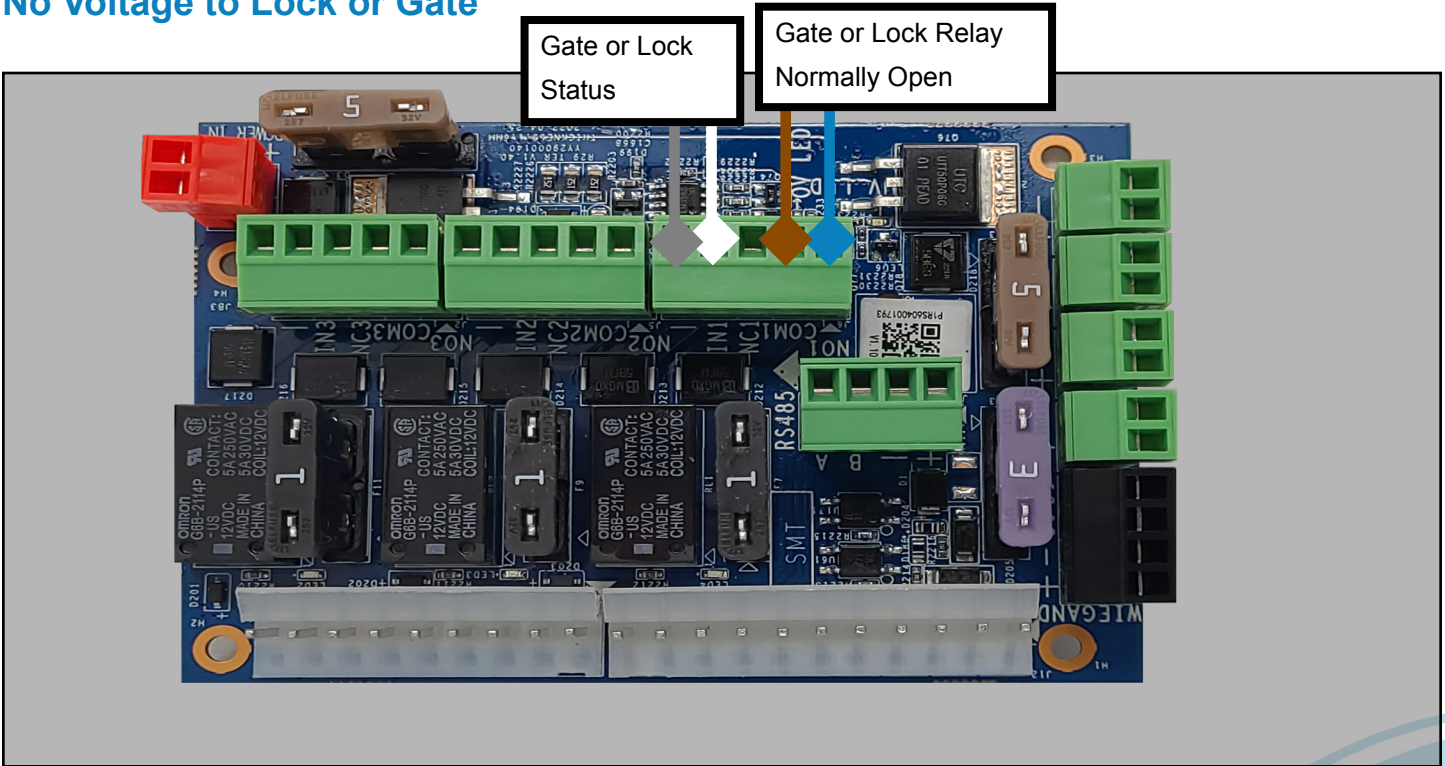


### NOTE

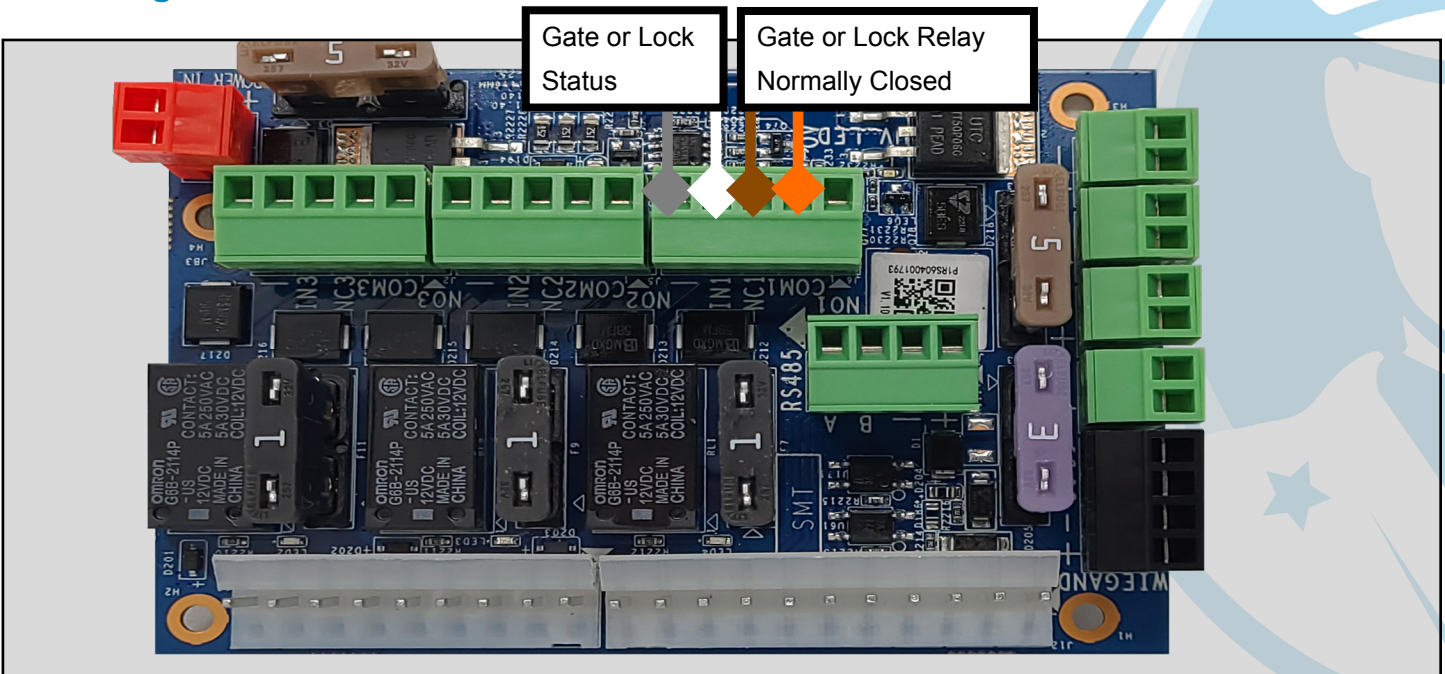
Do **not** remove SIM card from the in-hand modem.



## Dry Contact Relay, Normally Open Dry Contact No Voltage to Lock or Gate

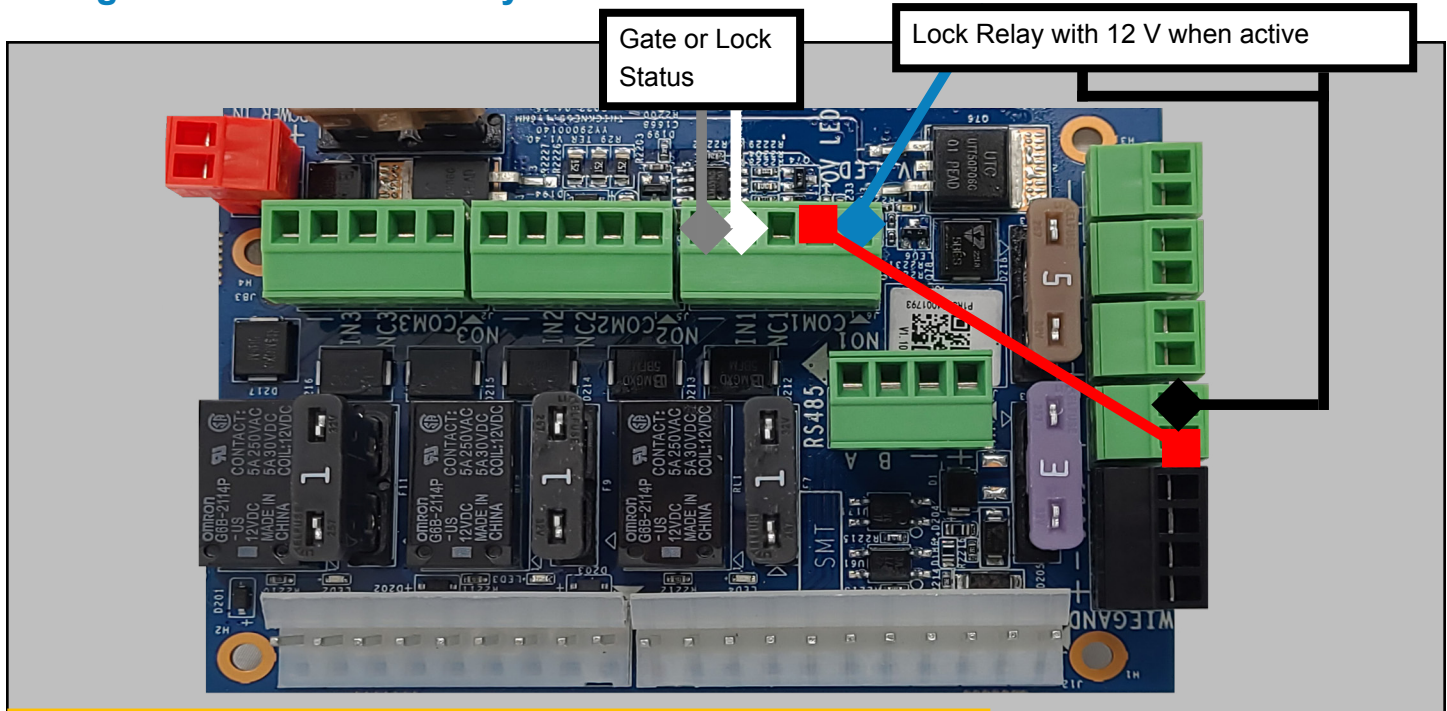


## Dry Contact Relay, Normally Closed Dry Contact No Voltage to Lock or Gate



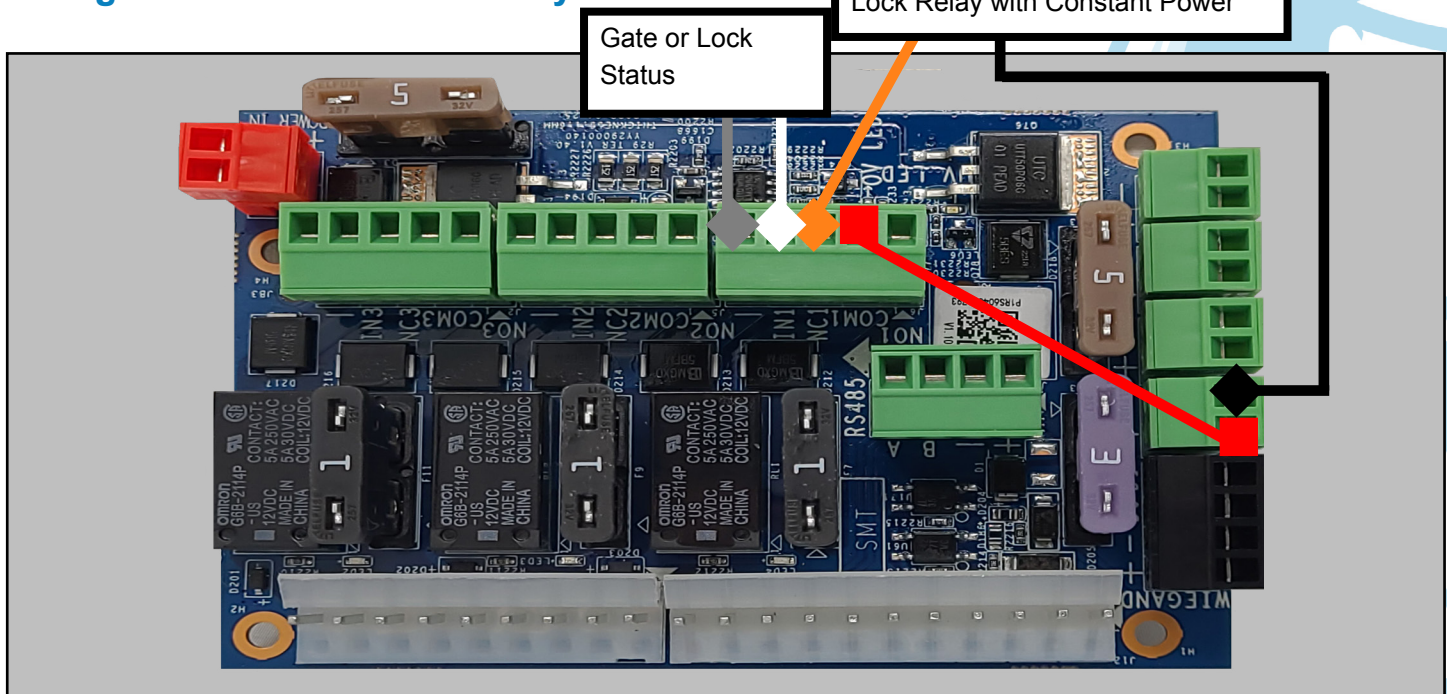


## Lock Requiring Constant 12 V: Wet Contact Relay, Normally Open Voltage is Added when Relay Activates



Check that the gray stripe aligns with the positive wire. Failure to use a diode with the lock voids the warranty.

## Lock Requiring Constant 12 V: Wet Contact Relay, Normally Closed Voltage is Removed when Relay Activates

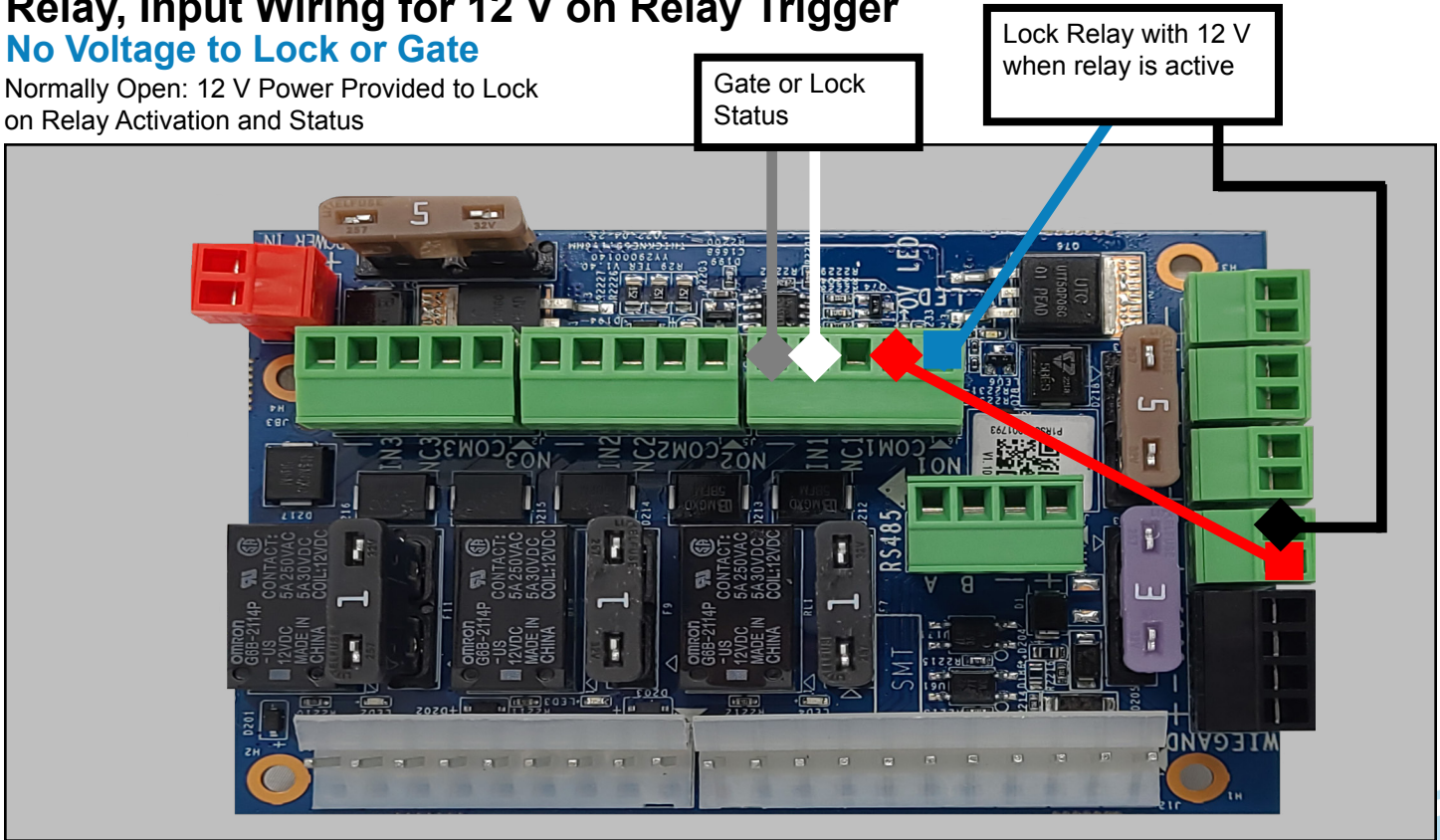




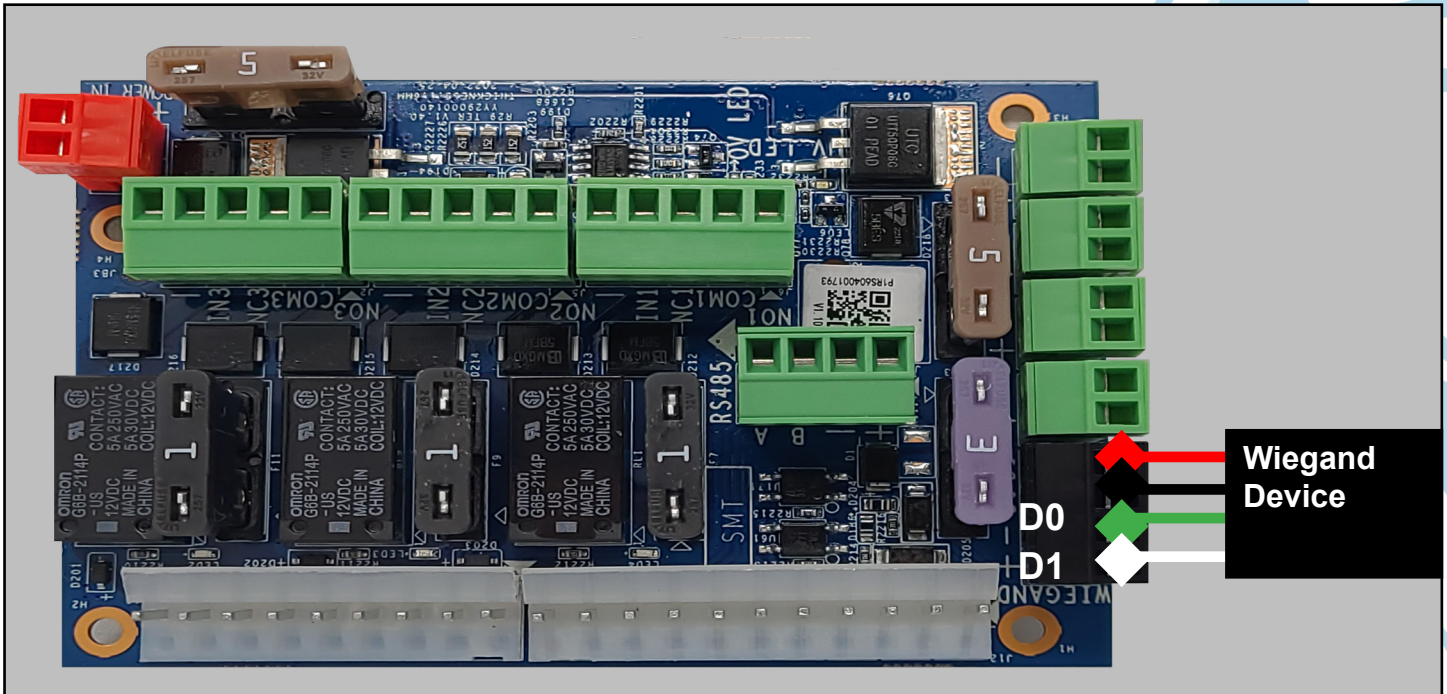


## Relay, Input Wiring for 12 V on Relay Trigger No Voltage to Lock or Gate

Normally Open: 12 V Power Provided to Lock on Relay Activation and Status



## Wiegand Wiring to Board and Direct to Faceplate, 26 Bit Reader To Interface Board



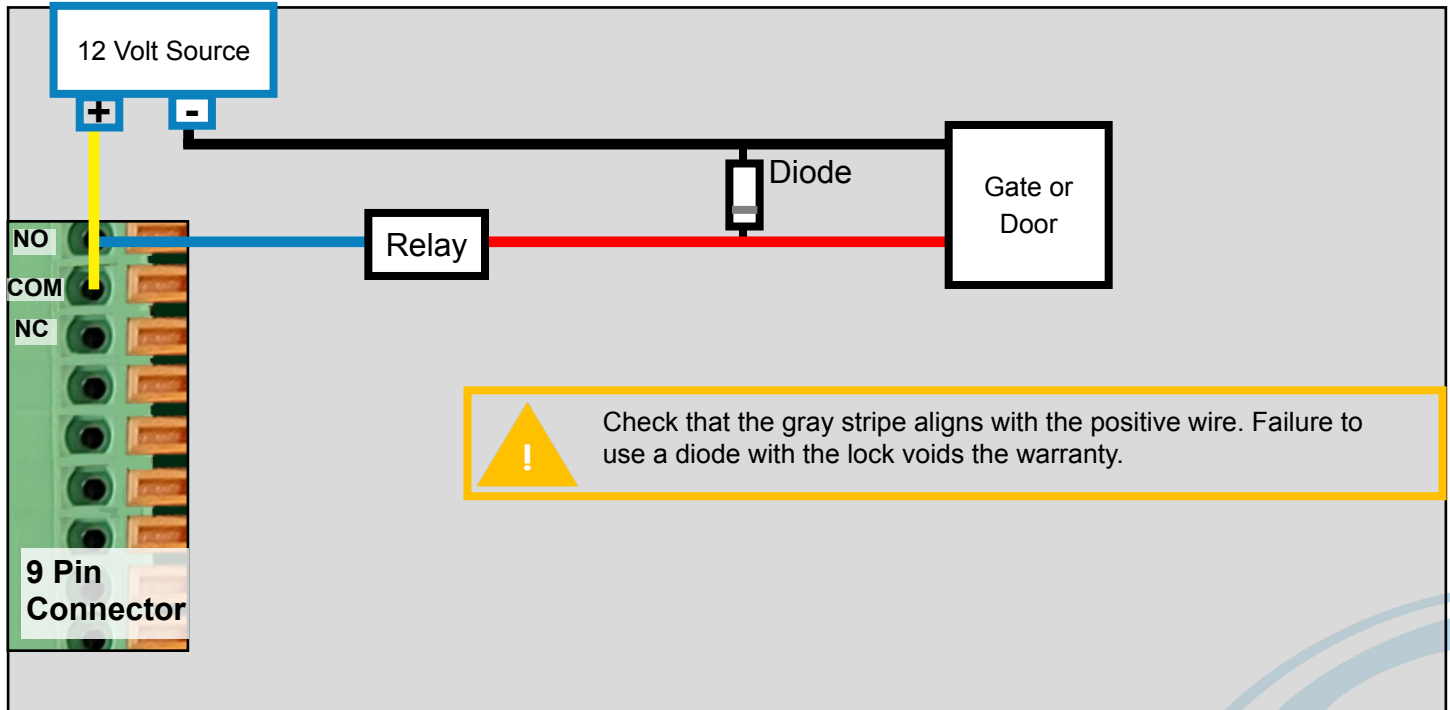


## Relays: Direct Wire to Faceplate

### Wet Connection, Normally Open

The gate or door receives 12 Volts when relay is active.

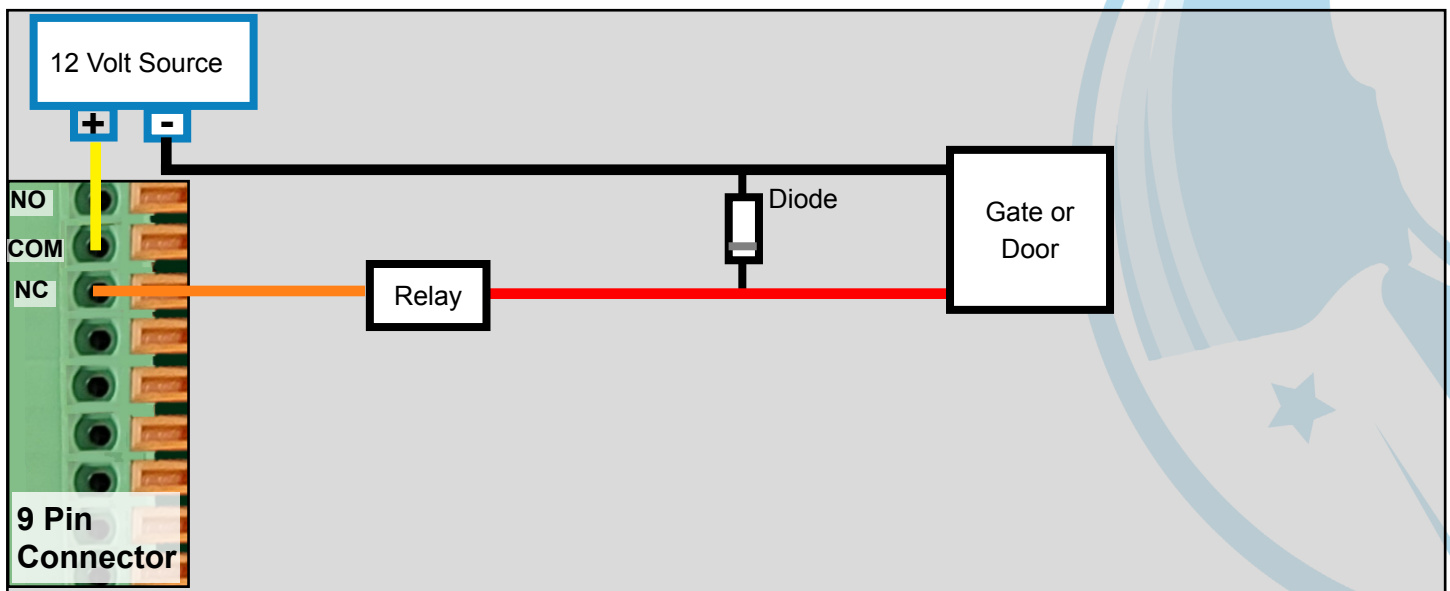
**NOTE** When active, *sends* 12 V.



## Wet Connection, Normally Closed

The gate or door receives 12 Volts when relay is at rest.

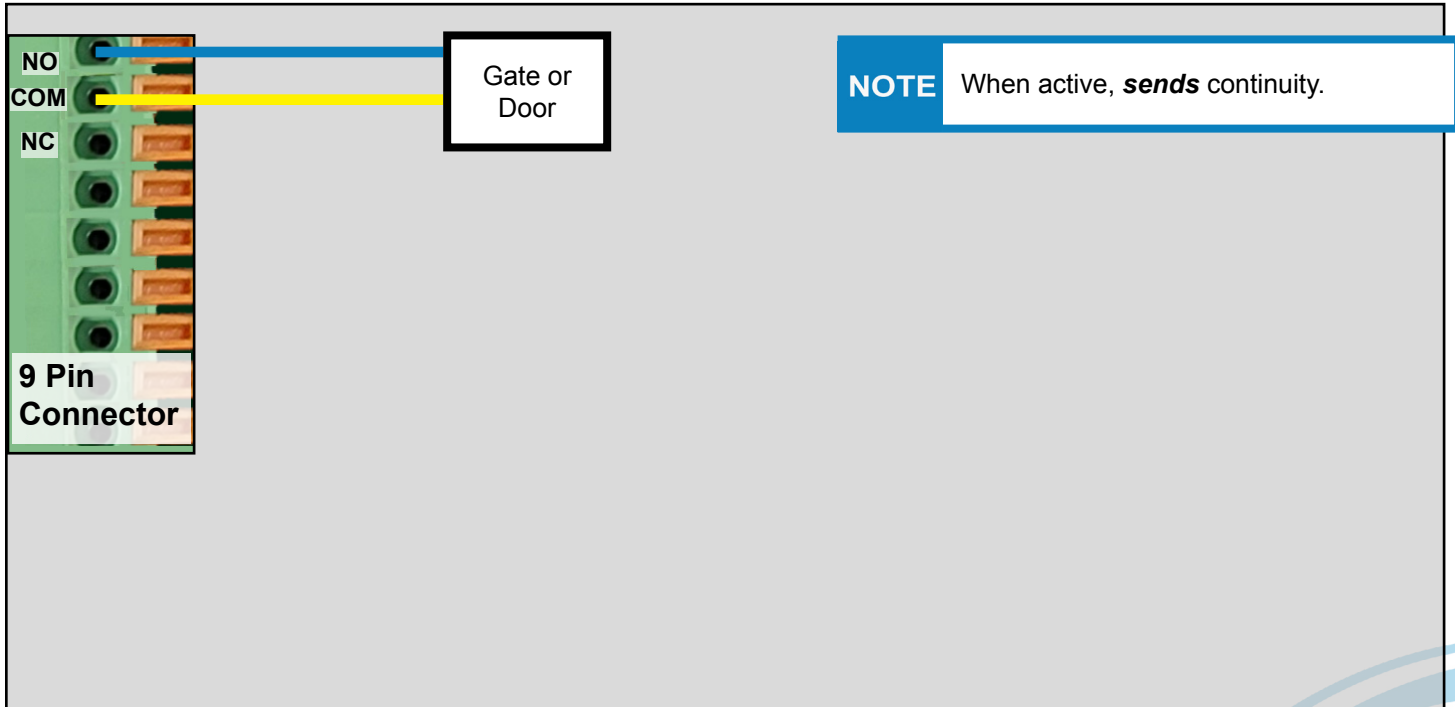
**NOTE** When active, *removes* 12 V.





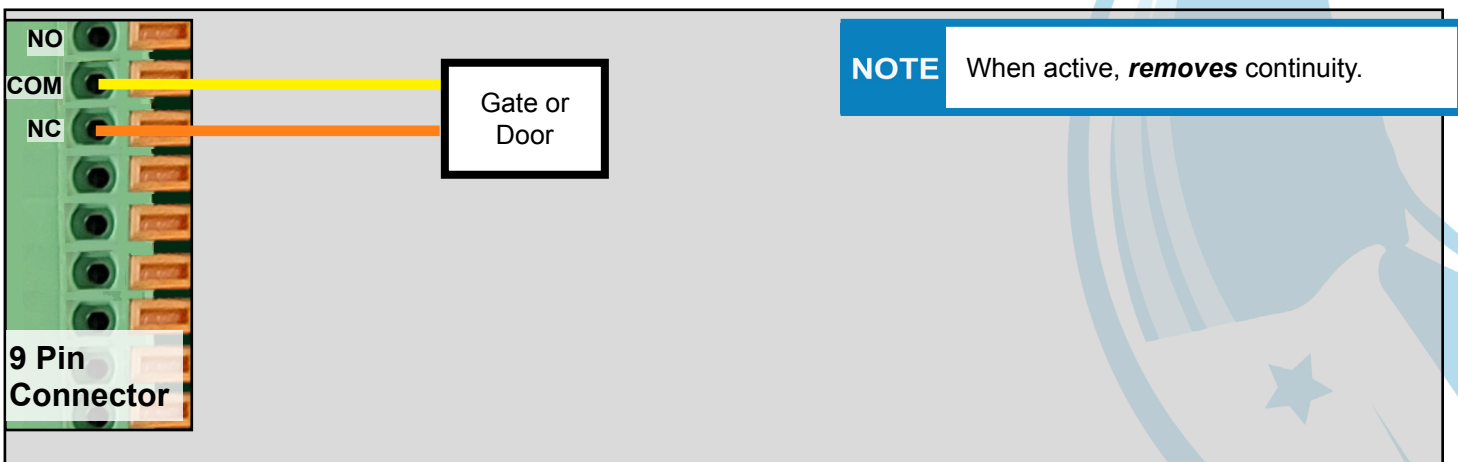
## Dry Contact, Normally Open

The gate or door receives continuity when the relay is active.



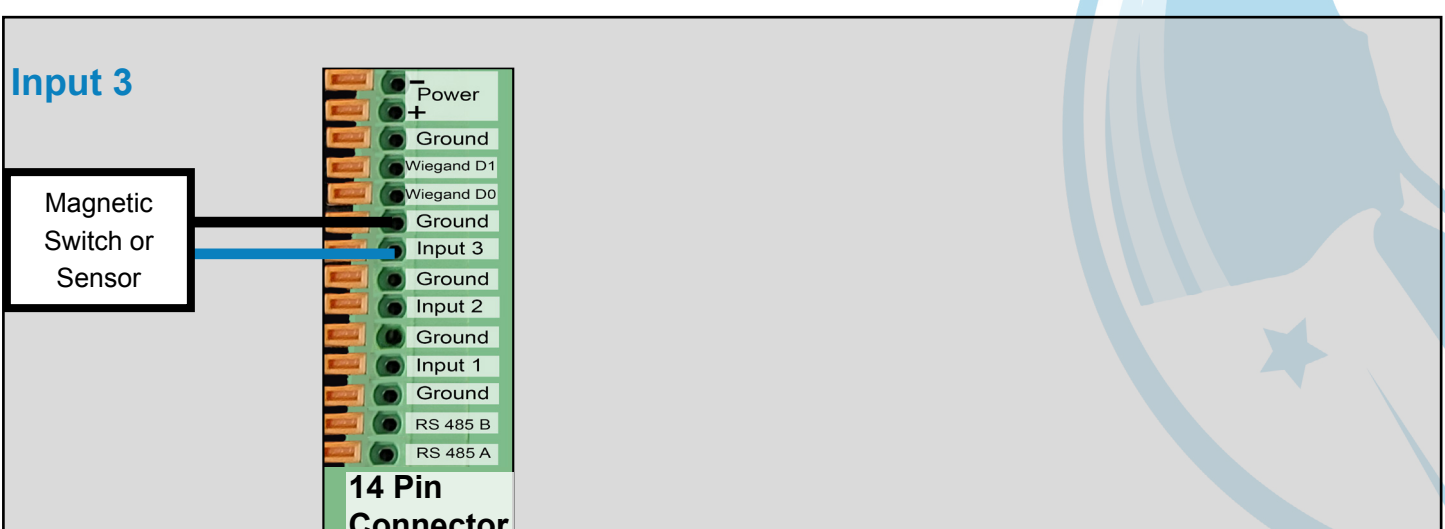
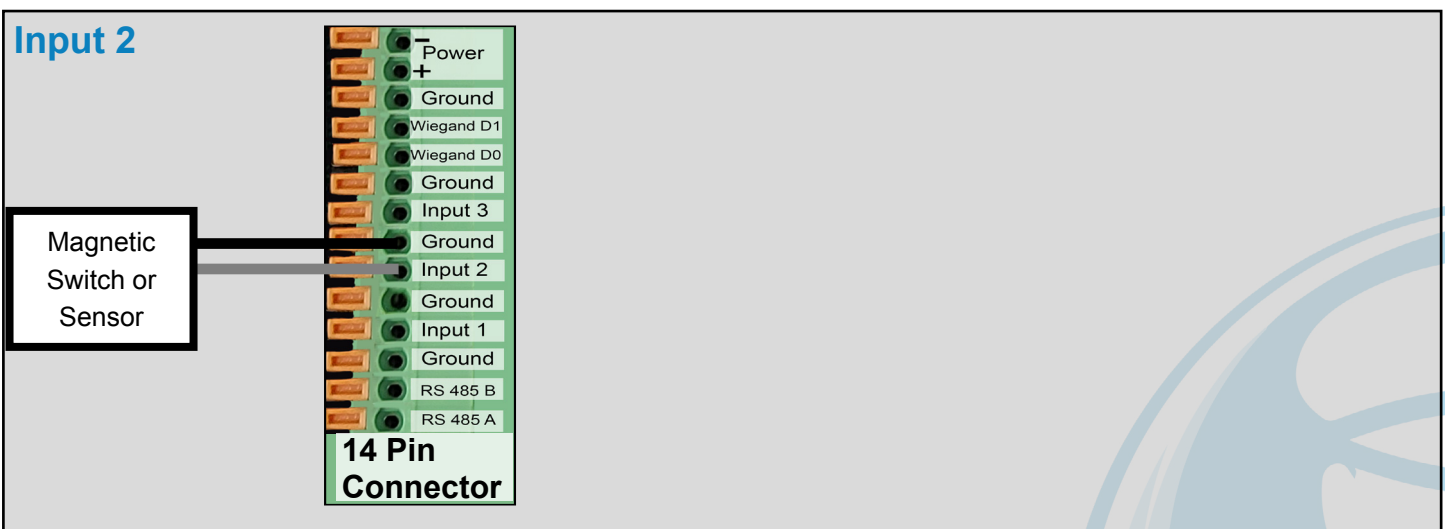
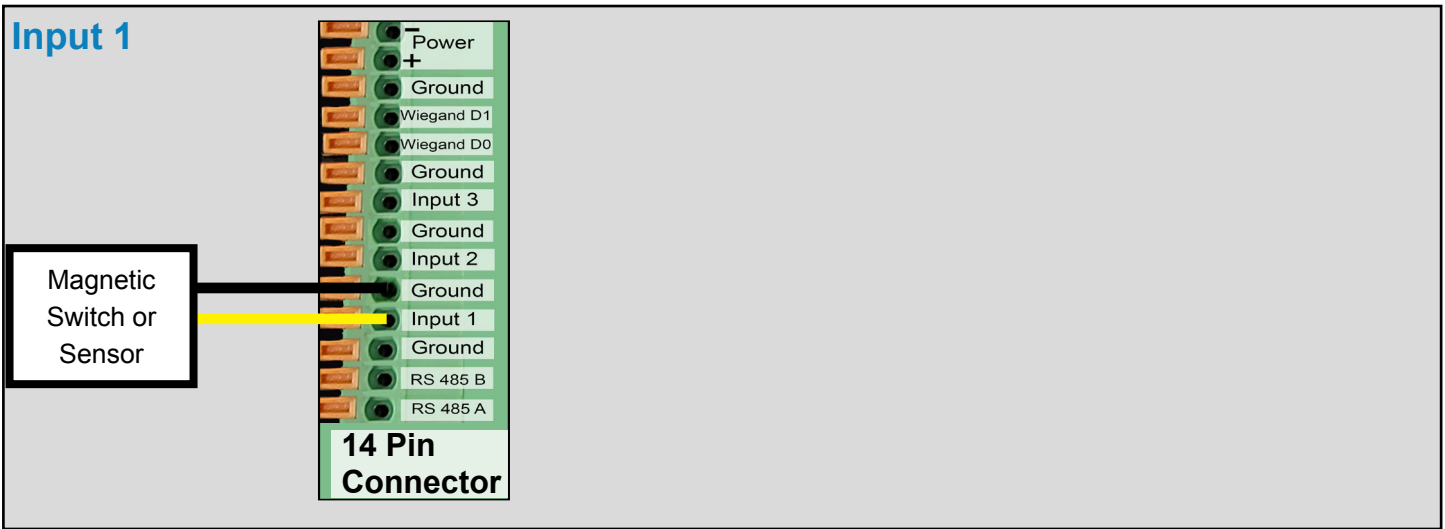
## Dry Contact, Normally Closed

The gate or door receives continuity when the relay is at rest.





## Inputs

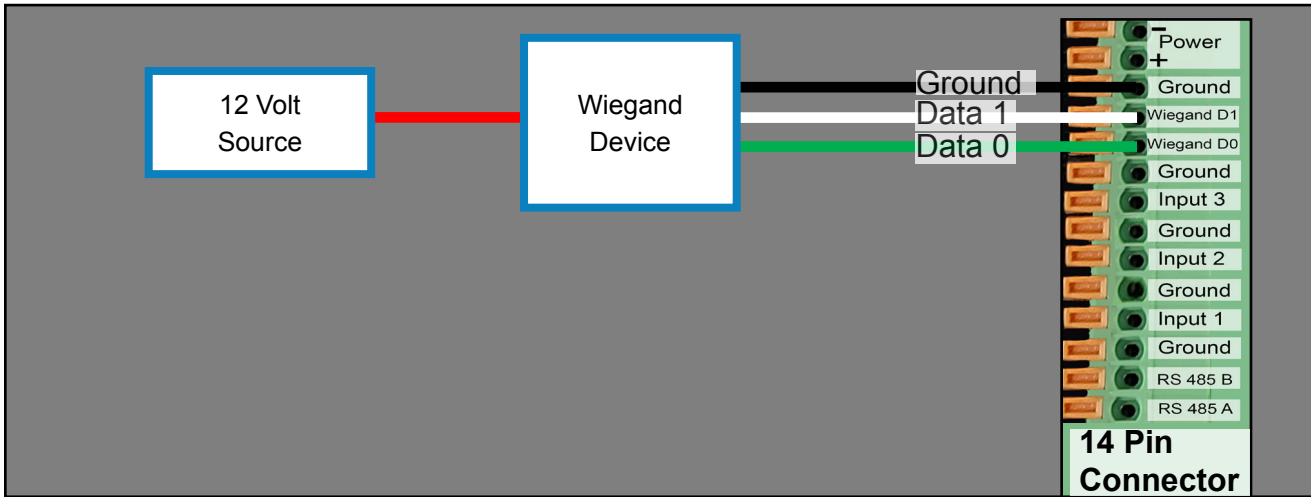




**WATCHMAN**<sup>®</sup>  
Your Virtual Security Guard

by  cellgate

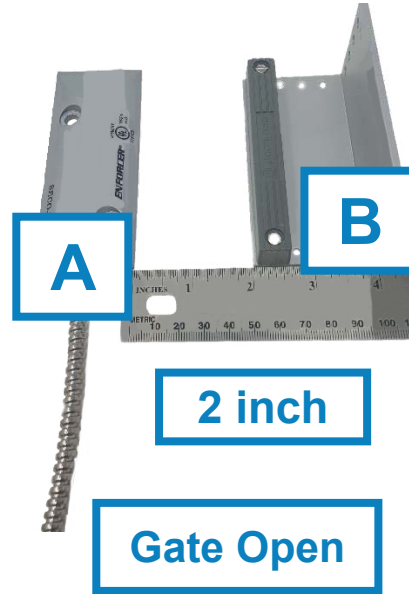
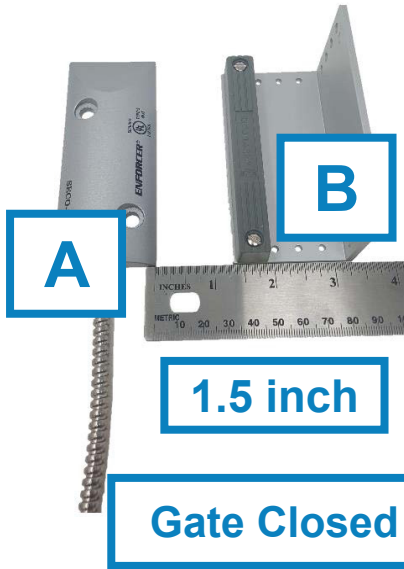
## To Wiegand Device and 12 V Source





## Magnetic Switch Setup

The Mag Switch can be placed anywhere that allows A and B to be pulled at least 2 inches away from each other when the gate is open and within 1.5 inches when the gate is closed.

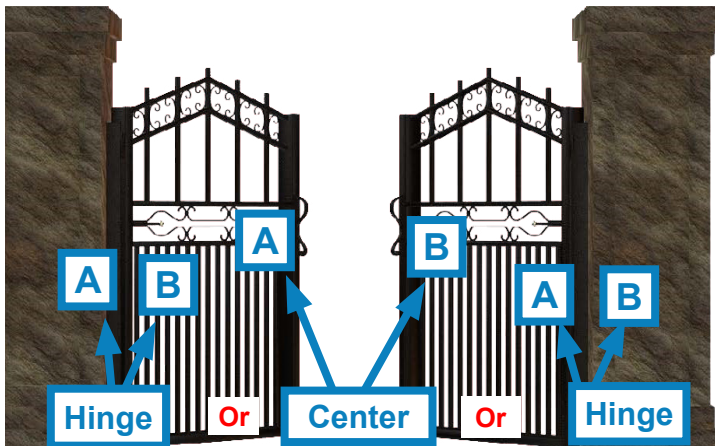


### NOTE

Gate statuses can be inverted. If needed, call CellGate to invert.

## Magnetic Switch Wiring

### Gate Wiring



### Door Wiring

